

# CAPTAIN OF THE UNIVERSE

## CHAPTER 8

by Kay Hively

Late in the afternoon, the day before Thanksgiving, Grandpa and Grandma Hubble arrived at Hubble Ranch. Grandma had nearly filled the buggy with food for the Thanksgiving dinner. Eddie and Henry helped her carry everything into the house.

As soon as Grandpa Hubble put Blackie in the barn, Eddie showed him the box with his new telescope. Together, Eddie and his grandpa carefully put the instrument together. Then they mounted it on a tall wooden stand.

After supper, Eddie could hardly wait for the moon and the stars to come out. Grandpa Hubble helped Eddie bring his new telescope out into the backyard. As Eddie held his breath, his grandpa turned and twisted the telescope and then pointed it toward the moon. Grandpa stepped back and told Eddie to take a look.

Slowly, Eddie put his eye to the end of the little telescope. What he saw was another world. Nothing he had ever seen or read about was quite so marvelous. It was better than all his favorite adventure stories.

Through the lens of the telescope, Eddie could actually see the surface of the moon. The moonscape was a fantasy world. Eddie was so astonished that he could not even speak.

After he had looked through his telescope for a long time, Eddie allowed everyone to have a turn. Everyone loved looking at the moon, but no one loved it more than Eddie. Looking through the telescope, he felt like a character in one of the books Grandma Hubble had read to him.

Even though the night air turned very cold, Eddie begged to stay up all night to look at the moon and the stars, but his father finally ordered him to bed. Eddie did go to bed — and slept with his new telescope.

Many years later, Edwin (Eddie) Hubble grew up and

went away to college. He studied to become a lawyer like his father. But he soon realized he did not want to be a lawyer. Deep in his heart, he wanted to study the stars.

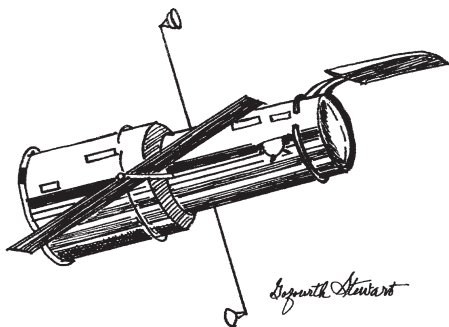
He returned to college and began to study astronomy.

After college, he found a job working at an observatory in California. The telescope he used at the observatory was as big as a school bus. While working there, Edwin Hubble explored the sky with his big telescope and made many important discoveries. He became one of the most famous astronomers in the world. One of his greatest discoveries was called the “Big Bang Theory.”

People said that God created the universe and Edwin Hubble discovered it.

Edwin Hubble died in 1953. At that time, he was called the greatest astronomer of the 20th Century.

In 1990, the United States built a great telescope and sent it into outer space. The name of this instrument is the Hubble Space Telescope. It is the most famous telescope in the world, and it was named for a little boy who actually dreamed of being the “Captain of the Universe.”



Author Kay Hively and Illustrator Billie Gofourth-Stewart are both of Neosho, Missouri. Produced in partnership with this newspaper and the Missouri Press Foundation. Copyright 2001.

### CLASSROOM EXTENSIONS — THINGS TO THINK ABOUT AND DO

- By following his dream, Eddie became a famous man. Make a space scrapbook. Include pictures and stories about the moon, stars and planets, and about Edwin Hubble and the Hubble Space Telescope.
- The following words and phrases were in this chapter. Look in the dictionary and learn the definition of: observatory, astronomy, “Big Bang,” moonscape and 20th Century.